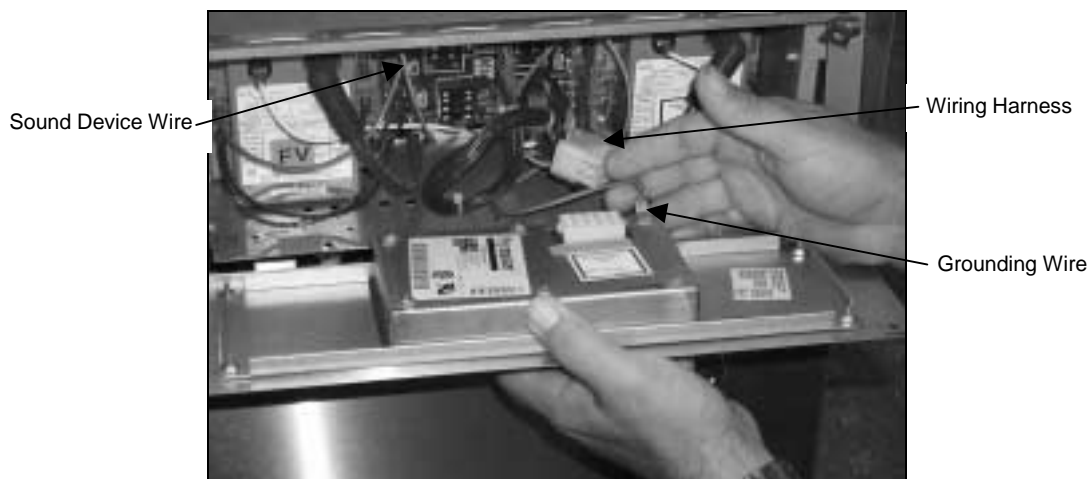


## INSTRUCTIONS FOR THE INSTALLATION OF KFC1 COMPUTERS ON H50 SERIES FRYERS

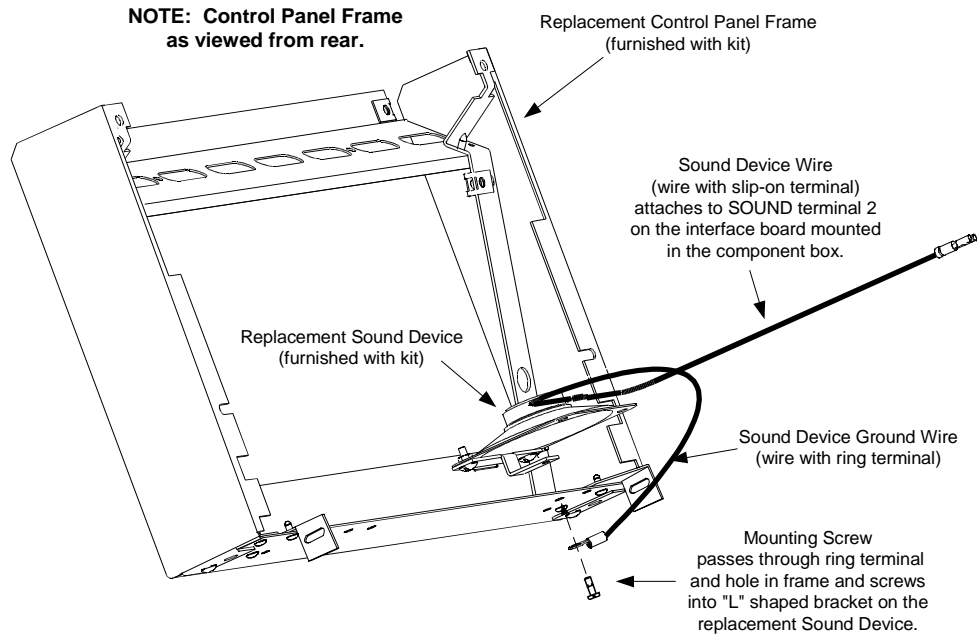
1. Drain all shortening from the fryer.
2. Disconnect the fryer from the electrical power supply and cut off the gas supply.
3. Remove the four screws from the top cap and remove the top cap.



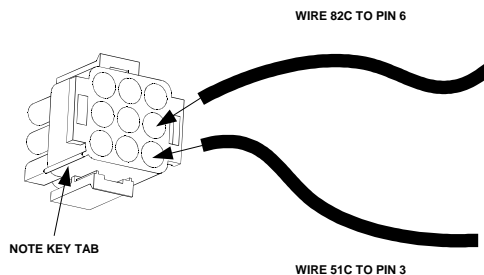
4. Remove the screws from the upper corners of the existing controller and allow the controller to swing down.
5. Disconnect the controller wiring harness from the controller and from the interface board and set it aside.



6. Disconnect the grounding wire from the controller.
7. Remove the controller by disengaging the tabs on its lower edge from the slots in the control panel frame.
8. Disconnect the sound device wire from the interface board.
9. Remove and discard the existing sound device.
10. Mount the replacement sound device by positioning the hole in the "L" shaped bracket over the hole in the left side of the bottom of the replacement control panel frame. Insert the mounting screw through the ring terminal of the sound device ground wire and up through the hole in the frame. Screw it into the "L" shaped bracket of the replacement sound device to secure it in place. (See illustration on Page 2.)

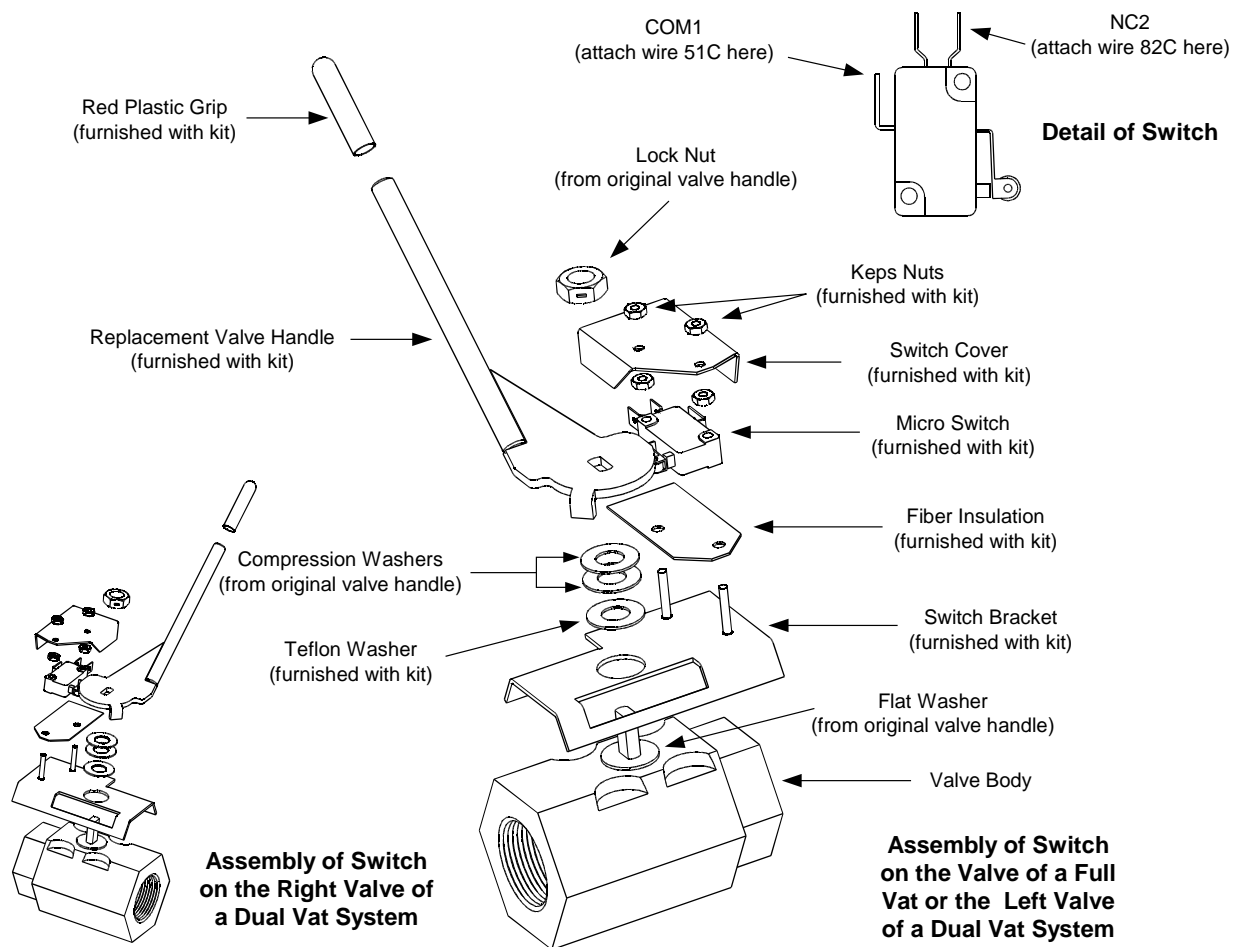


11. Beginning with the two screws on the bottom, remove the four screws that secure the original control panel frame into the cabinet assembly. Retain the screws.
12. Remove the control panel frame from the cabinet and replace it with the frame supplied with the kit. Secure it in place with the four screws removed in Step 11. Reinstall the top cap.
13. Feed the long lead from the new sound device behind the component box and through left hole in the back of the component box. Connect the lead to SOUND terminal 2 in the upper left corner of the interface board.
14. Locate wires 51C and 82C and the length of fiberglass sleeve insulation furnished with the kit. Thread the wires through the insulation and cut off any excess insulation.
15. Insert the plug end of wire 51C (the shorter of the two wires) into Pin 3 of the 9-pin connector and wire 82C into Pin 6 as illustrated below.



16. Route the loose ends of the drain switch wires through the hole in the back of the component box and down to the drain valve. **FOR UNITS WITHOUT BUILT-IN FILTRATION, GO TO STEP 18.**
17. Disconnect the existing wires from the drain safety switch and connect them together with the in-line splice furnished with the kit. Attach wire 82C (the longer of the two wires furnished with the kit) to the normally closed (NC2) terminal of the switch. Attach wire 51C to the common (COM1) terminal of the switch (see illustration on Page 3). **FOR UNITS WITH BUILT-IN FILTRATION, GO TO STEP 21.**

18. Remove the existing handle from the drain valve and discard. Retain the lock nut, flat washer and the two compression washers.
19. Assemble the components of the drain valve switch assembly as shown in the illustration below. Before installing the switch onto the bracket, attach wire 82C (the longer of the two wires furnished with the kit) to the normally closed (NC2) terminal of the switch, and wire 51C to the common (COM1) terminal of the switch. Install the fiber insulation then the switch. Ensure the blue side of the switch is up and the roller is on the side adjacent to the round hole in the top of the bracket. The insulation should extend past the bracket on the same side as the NC2 terminal. Secure the switch with two of the Keps nuts provided, then install the cover and secure it in place with the remaining two Keps nuts.



20. Install the switch assembly onto the valve body with the switch towards the back. Ensure that the round hole in the bracket fits completely over the flat washer on the valve. When the bracket is in position over the valve stem, install the Teflon (white plastic) washer furnished with the kit. Install the two compression washers with their concave faces toward each other. Install the replacement handle, making sure that the roller on the switch is not caught under the flat portion of the handle. Secure the handle in place with the lock nut removed in Step 18. Slip the red plastic grip over the end of the handle.
21. Install the KFC1 computer by engaging its tabs in the slots of the control panel frame. Attach the grounding wire disconnected in Step 6 to the grounding tab of the new computer.

Plug the 15-pin wiring harness into the interface board and the computer. **NOTE:** The end with the ferrite ring attaches to the computer. Plug the 9-pin drain switch plug into the computer.

22. Secure the computer to the control panel frame with the two screws removed in Step 4.
23. Reconnect the fryer to the electrical power source. The computer display will read **OFF**.
24. Turn the computer on by pressing the right ON/OFF  switch. Open the drain valve. The computer display will read **DRAIN OPEN** for approximately 30 seconds, then change to **DRAIN OPEN FILL**.
25. When **DRAIN OPEN FILL** is displayed, close the drain valve. The computer display will change to **FILL**.
26. Turn the gas supply on and fill the fryer with shortening.
27. Refer to the computer manual supplied with the kit for instructions on how to operate the fryer using the KFC1 computer.